



MY SPACE, MY RULES

PRODUCT  
BROCHURES

# PRODUCT BROCHURE

SETTING A NEW GLOBAL  
INDUSTRY BENCHMARK

MY SPACE, MY RULES

---



MY SPACE, MY RULES

GUANGDONG EGOOD PARTITION  
PRODUCTS CO., LTD

ADDRESS: NO. 2, ERHENG ROAD, SHIRONG INDUSTRIAL ZONE, HE CUN, LISHUI  
TOWN, NANHAI DISTRICT, FOSHAN CITY, GUANGDONG PROVINCE, CHINA

Tel: +86-757-85632132

E-mail: sales@egoodpartition.com



[www.egmovablewall.com](http://www.egmovablewall.com)

MY SPACE, MY RULES

# COMPANY PROFILE

## FOUNDED IN 1998.

OUR COMPANY WAS FOUNDED IN 1998

FOUNDED IN 1998, GUANGDONG EGOOD PARTITION PRODUCTS CO., LTD. IS A ONE-STOP MANUFACTURER SPECIALIZING IN THE DEVELOPMENT, SALES, PRODUCTION, AND AFTER-SALES SERVICE OF MOVABLE PARTITIONS, OFFICE GLASS PARTITIONS, AND SEMI-AUTOMATIC AND FULLY AUTOMATIC PARTITION SYSTEMS. ITS PRODUCTS ARE WIDELY USED IN COMMERCIAL SPACES SUCH AS CONFERENCE CENTERS, EXHIBITION HALLS, STAR-RATED HOTEL BANQUET HALLS, OFFICE BUILDINGS, AND RESTAURANTS, OFFERING EFFICIENT SPACE MANAGEMENT SOLUTIONS. THE MAXIMUM PANEL HEIGHT REACHES 20 METERS, WITH A SOUND INSULATION COEFFICIENT OF UP TO 56 DB



MAXIMUM PANEL HEIGHT:  
20 METERS



SOUND INSULATION:  
UP TO 56 DB



FACTORY AREA:  
13,000m<sup>2</sup>

EGOOD HAS TWO MODERN PRODUCTION FACILITIES COVERING OVER 13,000 SQUARE METERS, EQUIPPED WITH ADVANCED MACHINERY AND EFFICIENT LOGISTICS TOOLS. ALL PRODUCTS ARE INDEPENDENTLY DEVELOPED AND MANUFACTURED, RECOGNIZED BY THE MINISTRY OF CONSTRUCTION'S CHINA BUILDING DECORATION ASSOCIATION AS "PREFERRED PRODUCTS FOR CONSTRUCTION PROJECTS" AND "CHINA'S HIGH-QUALITY AND TRUSTED PRODUCTS." THE COMPANY HOLDS MULTIPLE NATIONAL INVENTION, UTILITY MODEL, AND DESIGN PATENTS

## PEOPLE-ORIENTED, INTEGRITY FIRST TECHNOLOGICAL INNOVATION, DEDICATION TO WORK

THE COMPANY HAS OBTAINED ISO 9001:2015 QUALITY MANAGEMENT SYSTEM CERTIFICATION, AAA ENTERPRISE CREDIT CERTIFICATION, SGS PRODUCT TESTING CERTIFICATION, ASTM ACOUSTIC TESTING, ILAC-MRA FIRE RESISTANCE TESTING, AND CNAS FIRE RESISTANCE TESTING. AFTER YEARS OF DEVELOPMENT, THE "EGOOD" BRAND HAS GAINED WIDESPREAD RECOGNITION AND FAVOR BOTH DOMESTICALLY AND INTERNATIONALLY. ITS MOVABLE PARTITION PRODUCTS NOW MATCH THE QUALITY STANDARDS OF INTERNATIONAL BRANDS. THE PRODUCTS ARE EXPORTED TO OVER 100 COUNTRIES AND HAVE BEEN INSTALLED IN MORE THAN 200 FIVE-STAR HOTEL BANQUET HALLS, INTERNATIONAL CONFERENCE CENTERS, LARGE BANQUET HALLS, AND EXHIBITION CENTERS, RECEIVING WIDESPREAD ACCLAIM



# OUR STORY

BY PARTICIPATING IN TRADE EXHIBITIONS, WE SECURED OVERSEAS ORDERS, FOLLOWED BY EXPANDING OUR BUSINESS TO COUNTRIES ACROSS DIFFERENT CONTINENTS. WE EMPHASIZED TAILORING SOLUTIONS TO MEET THE SPECIFIC NEEDS OF EACH COUNTRY, ULTIMATELY ESTABLISHING STRONG PARTNERSHIPS WITH OVER 50 COUNTRIES AND ENSURING THE CONTINUOUS DEVELOPMENT OF OUR FACTORY.



Egood has two modern facilities spanning 13,000 m<sup>2</sup>, featuring advanced machinery and efficient logistics. Recognized as "Preferred Construction Products," it holds multiple national patents, model, and design patents.

2019

THE COMPANY INVESTS IN R&D AND INNOVATION, LEADING TO A GROUNDBREAKING INVENTION WITH A NATIONAL PATENT. SEVERAL PRODUCTS RECEIVED AUTHORITATIVE CERTIFICATIONS, EARNING INDUSTRY RECOGNITION AND CUSTOMER TRUST. TODAY, THE COMPANY CONTINUES TO EXCEL, OFFERING HIGH-QUALITY PRODUCTS AND SERVICES.

2004

OUR COMPANY HAS OBTAINED ISO 9001:2015 QUALITY MANAGEMENT SYSTEM CERTIFICATION AND AAA ENTERPRISE CREDIT CERTIFICATION, AS WELL AS SGS PRODUCT TESTING CERTIFICATION, ASTM ACOUSTIC TESTING, ILAC-MRA FIRE RESISTANCE TESTING, AND CNAS FIRE RESISTANCE TESTING. AFTER YEARS OF DEDICATED DEVELOPMENT, THE "EGOOD" BRAND HAS GAINED WIDE RECOGNITION AND FAVOR BOTH DOMESTICALLY AND INTERNATIONALLY.

2012

2014

THE COMPANY HOLDS ISO 9001:2015, AAA CREDIT CERTIFICATION, AND VARIOUS PRODUCT CERTIFICATIONS. AFTER YEARS OF DEVELOPMENT, THE "EGOOD" BRAND IS WIDELY RECOGNIZED BOTH DOMESTICALLY AND INTERNATIONALLY



2024

For 10 consecutive years, the company has held the top market share in the domestic hotel and office partition sector. Its movable partition products now match the quality level of international brands. The products are exported to over 100 countries and have been installed in more than 200 five-star hotel banquet halls, international conference centers, large banquet halls, and exhibition centers, receiving widespread acclaim.



ESTABLISHED IN 1998, GUANGDONG EGOOD SPECIALIZES IN MOVABLE PARTITIONS AND AUTOMATED SYSTEMS, WIDELY USED IN HOTELS, OFFICES, AND CONFERENCE CENTERS. PANELS REACH UP TO 20M WITH SOUND INSULATION UP TO 56DB.

1998

BY ATTENDING TRADE EXHIBITIONS, WE SECURED OVERSEAS ORDERS AND EXPANDED INTO COUNTRIES ACROSS VARIOUS CONTINENTS, TAILORING SOLUTIONS TO MEET SPECIFIC NATIONAL NEEDS. THIS HAS LED TO STRONG PARTNERSHIPS WITH OVER 50 COUNTRIES AND THE CONTINUED GROWTH OF OUR FACTORY.



2001

THE PRODUCTS ARE SOLD TO OVER 200 COUNTRIES AND REGIONS WORLDWIDE. THIS SUCCESS IS THE RESULT OF COUNTLESS DAYS AND NIGHTS OF HARD WORK, A RELENTLESS PURSUIT OF QUALITY, AND CLOSE TEAMWORK. MOVING FORWARD, THE FACTORY WILL CONTINUE TO STRIVE, BRINGING ITS EXCEPTIONAL PRODUCTS TO MORE CORNERS OF THE WORLD

2021





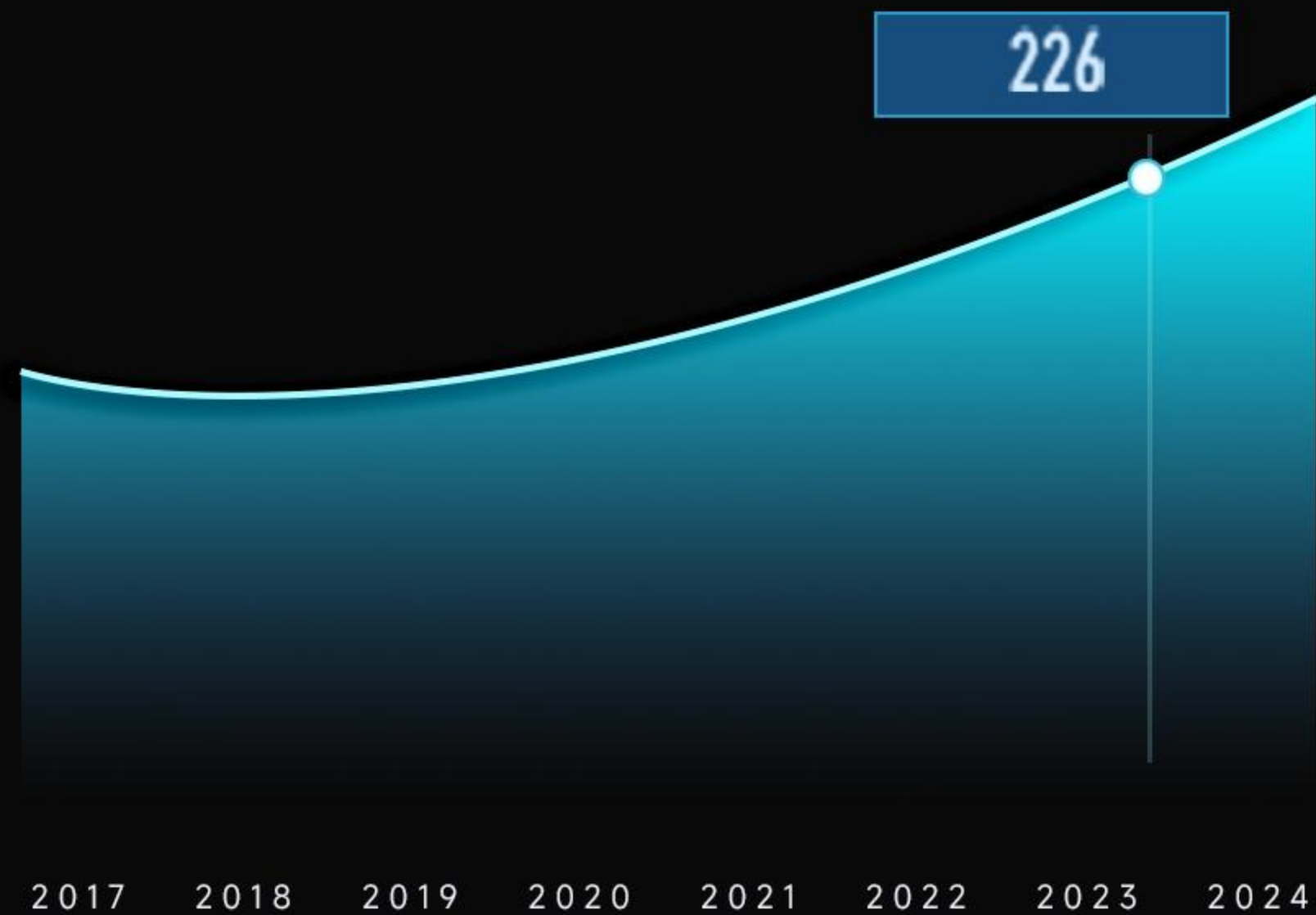
# Global business



# 200

THE PRODUCTS ARE EXPORTED GLOBALLY TO OVER 200 COUNTRIES AND REGIONS.

GUANGDONG EGOOD PARTITION PRODUCTS CO., LTD., ESTABLISHED IN 1998, IS LOCATED IN LISHUI TOWN, NANHAI DISTRICT, FOSHAN CITY, CHINA. THE COMPANY SPECIALIZES IN THE DEVELOPMENT, SALES, PRODUCTION, AND AFTER-SALES SERVICE OF MOVABLE PARTITIONS, OFFICE GLASS PARTITIONS, SEMI-AUTOMATIC PARTITIONS, AND FULLY AUTOMATIC PARTITION SYSTEMS. ITS PRODUCTS ARE WIDELY USED IN COMMERCIAL SPACES SUCH AS CONFERENCE CENTERS, EXHIBITION HALLS, STAR-RATED HOTEL BANQUET HALLS, OFFICE BUILDINGS, AND RESTAURANTS, PROVIDING EFFICIENT SPACE MANAGEMENT SOLUTIONS. THE MAXIMUM PANEL HEIGHT REACHES 20 METERS, WITH A SOUND INSULATION COEFFICIENT OF UP TO 56 DB.



### LISHUI, NANHAI, FOSHAN, CHINA



THE FACTORY'S LOCATION WAS CAREFULLY CHOSEN FOR ITS GEOGRAPHICAL ADVANTAGES. WITH CONVENIENT ACCESS TO MAJOR TRANSPORT ROUTES, BOTH ROAD AND RAIL, IT ENSURES EFFICIENT DELIVERY OF PRODUCTS TO MARKETS AND SMOOTH TRANSPORTATION OF RAW MATERIALS, PLAYING A CRUCIAL ROLE IN TIMELY DELIVERIES.

### SALES REVENUE

**\$3000**

SALES: USD 30 MILLION

### CLIENT VISITS

RECENTLY, THE FACTORY HAS HOSTED NUMEROUS CLIENT VISITS FROM VARIOUS REGIONS AND INDUSTRIES. THEIR MAIN PURPOSES INCLUDE ASSESSING THE FACTORY'S PRODUCTION CAPACITY, UNDERSTANDING PRODUCT QUALITY, AND DISCUSSING POTENTIAL COOPERATION.

**12000+**

### Factory Excellence Through Customer Recognition, Project Achievements, and Honors

THE FACTORY HAS WELCOMED NUMEROUS CLIENTS FROM VARIOUS REGIONS AND INDUSTRIES, VISITING TO ASSESS PRODUCTION CAPACITY AND PRODUCT QUALITY. WITH OVER 12,000 COMPLETED PROJECTS, IT HAS EARNED MULTIPLE ACCOLADES FOR PRODUCT DESIGN, QUALITY CONTROL, AND MARKET REPUTATION, SHOWCASING ITS EXCEPTIONAL PERFORMANCE. ADDITIONALLY, THE FACTORY HAS ACHIEVED A SALES RECORD OF USD 3000 MILLION

### COMPLETED PROJECTS

FIRST, PROVIDE AN OVERVIEW OF THE COMPLETED PROJECTS BY THE PARTITION FACTORY, INCLUDING THE SECTORS INVOLVED. THEN, DISCUSS THE PROJECT ACHIEVEMENTS IN TERMS OF PRODUCT QUALITY, PROJECT PROGRESS, AND CUSTOMER SATISFACTION. NEXT, SUMMARIZE THE PROJECT EXPERIENCES, SUCH AS TEAMWORK, TECHNOLOGICAL INNOVATION, AND QUALITY MANAGEMENT. HIGHLIGHT ANY EXISTING ISSUES AND SUGGEST CORRESPONDING IMPROVEMENTS. FINALLY, OFFER A FUTURE OUTLOOK, EXPRESSING THE DETERMINATION TO CONTINUE EFFORTS AND EXPAND THE MARKET

**12000+**



### AWARDS

THE FACTORY HAS EARNED MULTIPLE AWARDS IN THE INDUSTRY FOR ITS EXCEPTIONAL PRODUCT QUALITY, INNOVATIVE TECHNOLOGY, AND OUTSTANDING SERVICE. THESE AWARDS COVER AREAS SUCH AS PRODUCT DESIGN, QUALITY CONTROL, AND MARKET REPUTATION, HIGHLIGHTING THE FACTORY'S OUTSTANDING PERFORMANCE IN THE INDUSTRY.



# PRODUCT SERIES



MOVABLE PARTITION



FRAMELESS GLASS PARTITION



FRAMED GLASS PARTITION



ROTATING FOLDING DOOR

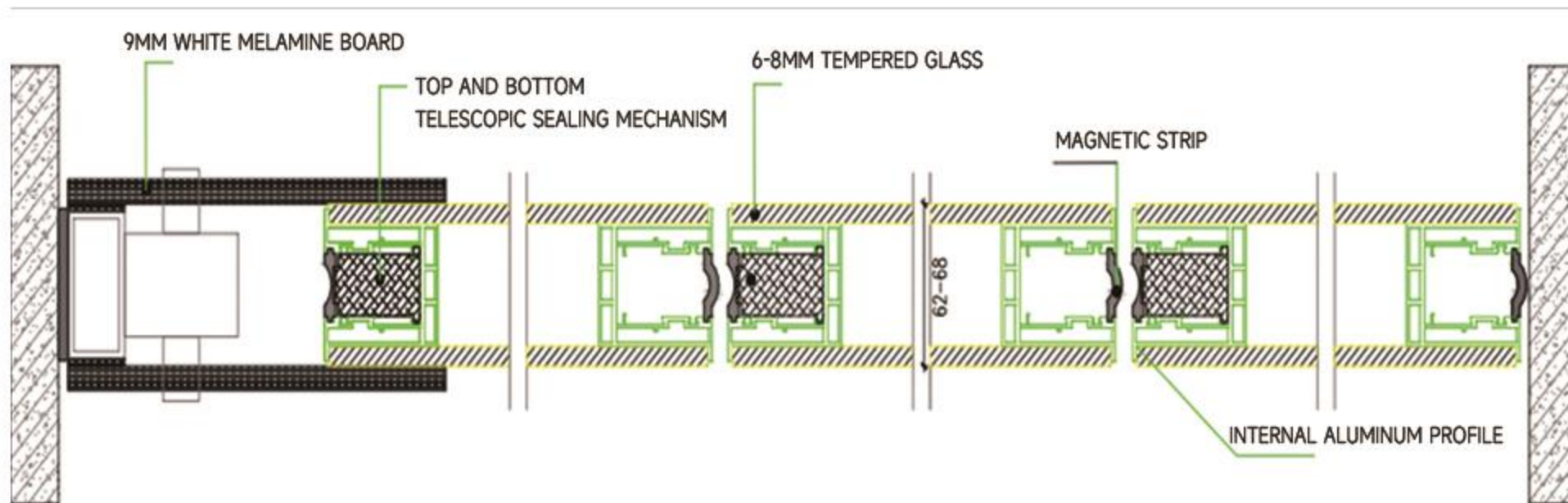
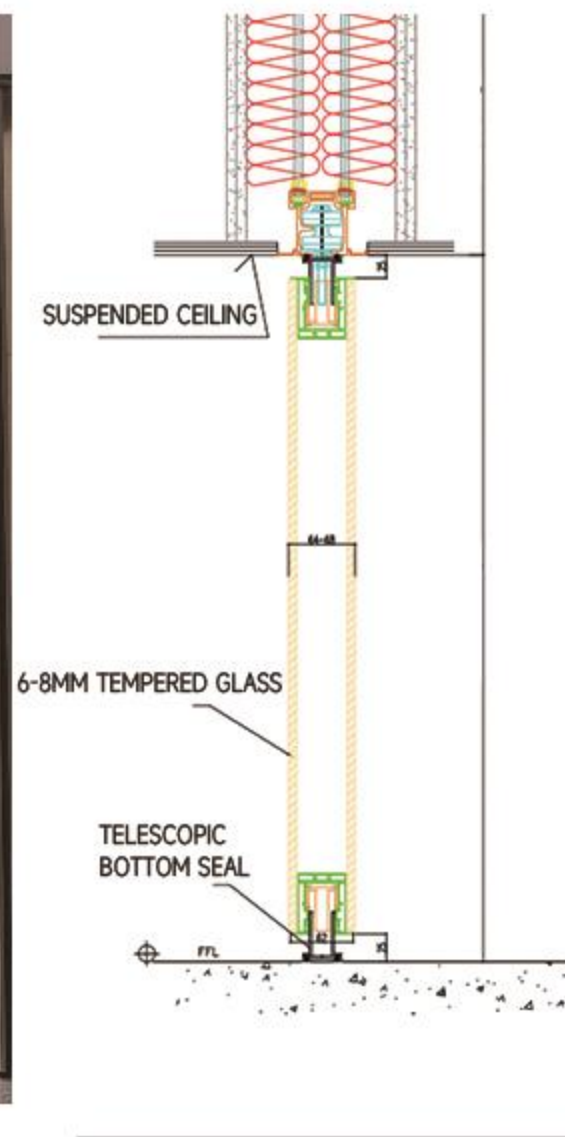


FOLDING DOOR

## OFFICE PARTITION SERIES

### AED75 MOVABLE GLASS PARTITION

AED75 MOVABLE GLASS PARTITION



## PRODUCT INTRODUCTION

### AED75 MOVABLE GLASS PARTITION

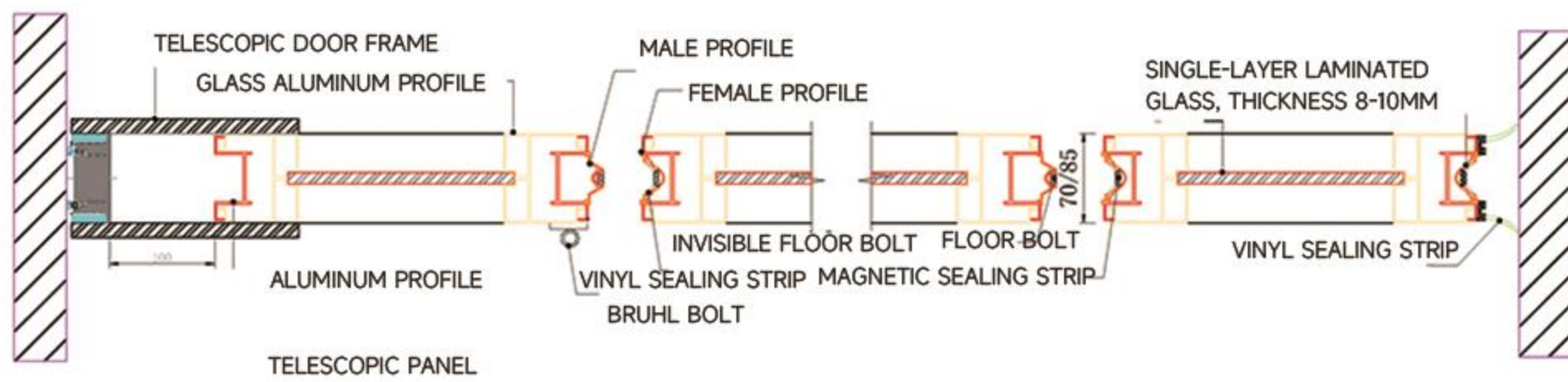
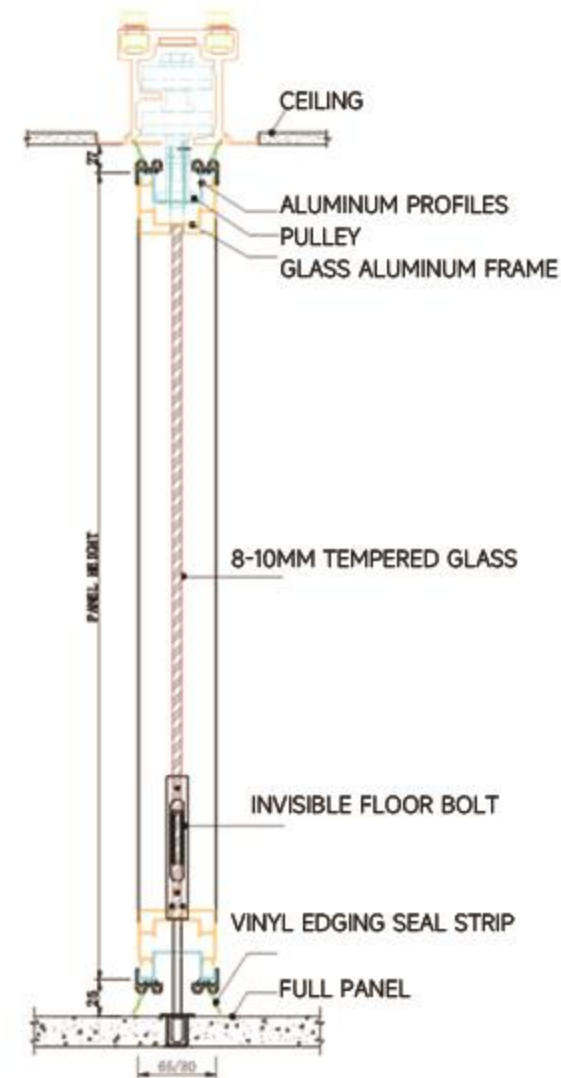
The glass partition is made of double-layer 6-8mm tempered glass, with a 62mm thick invisible slim aluminum frame that provides the smoothest and most focused appearance. With horizontal top and bottom telescopic seals, it provides an STC40-48db rating in laboratory environments. It is used exclusively with elevated tracks, offering the best solution when physical separation of interior or exterior spaces is required.



## OFFICE PARTITION SERIES

### EG65 MOVABLE GLASS PARTITION

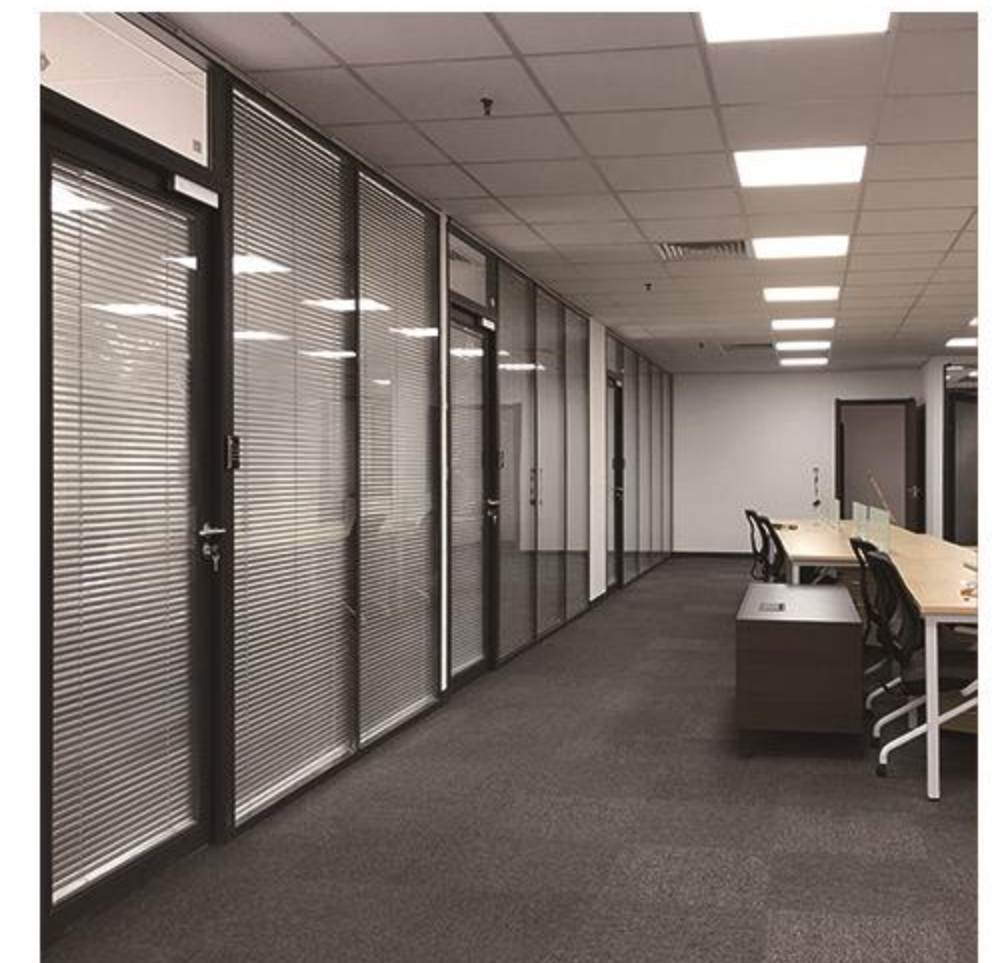
EG65 ACTIVITY GLASS PARTITION



## FOLDING GLASS SERIES

### EG65 MOVABLE GLASS PARTITION

Made of glass, surrounded by aluminum frames that are 70mm or 80mm thick. Each panel has top and bottom scanning seals and a 22.5mm suspension gap. Single or paired panels are available. The standard aluminum frame finish is in transparent anodized color, but powder coating or custom anodizing options can be ordered.



## OFFICE PARTITION SERIES

### S28 GLASS FOLDING PARTITION

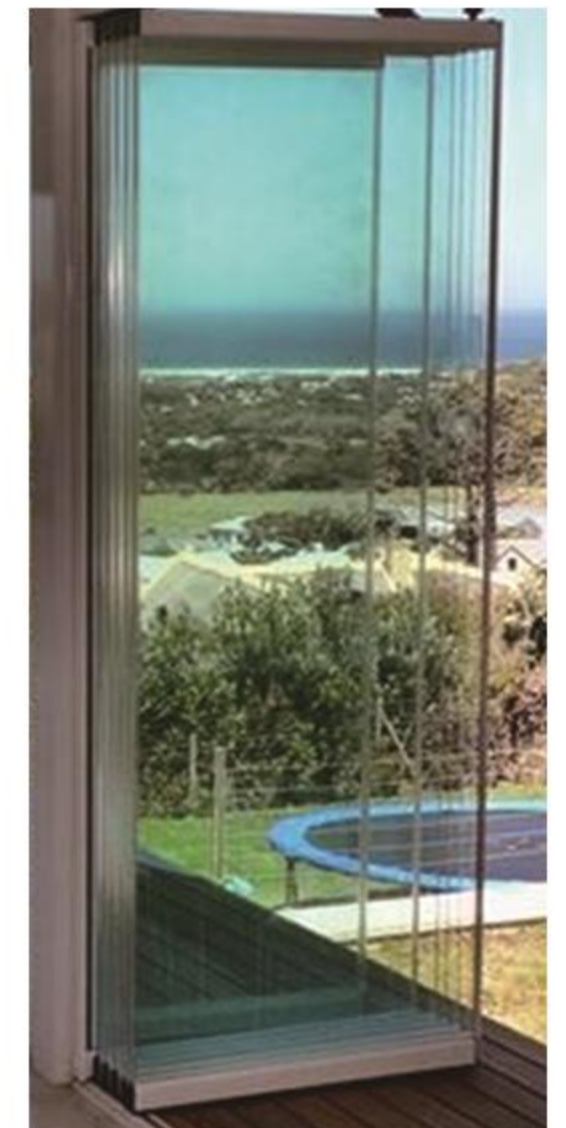
S28 GLASS FOLDING PARTITION



## FOLDING GLASS SERIES

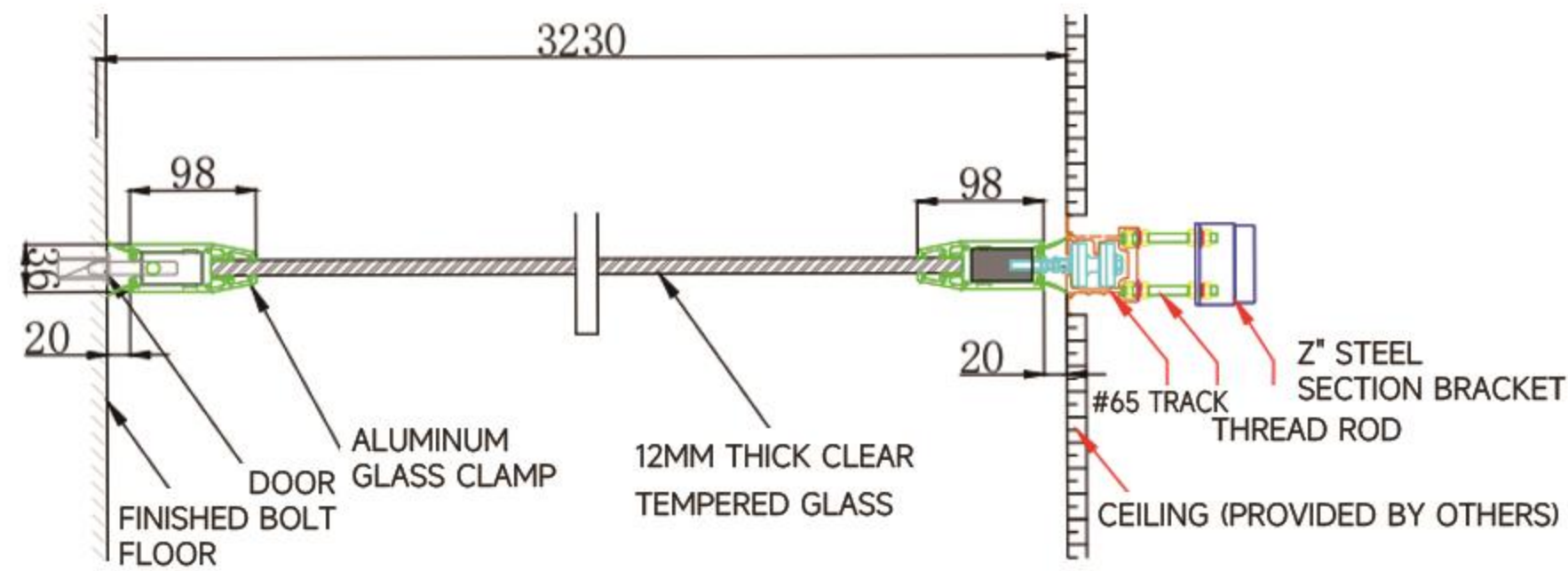
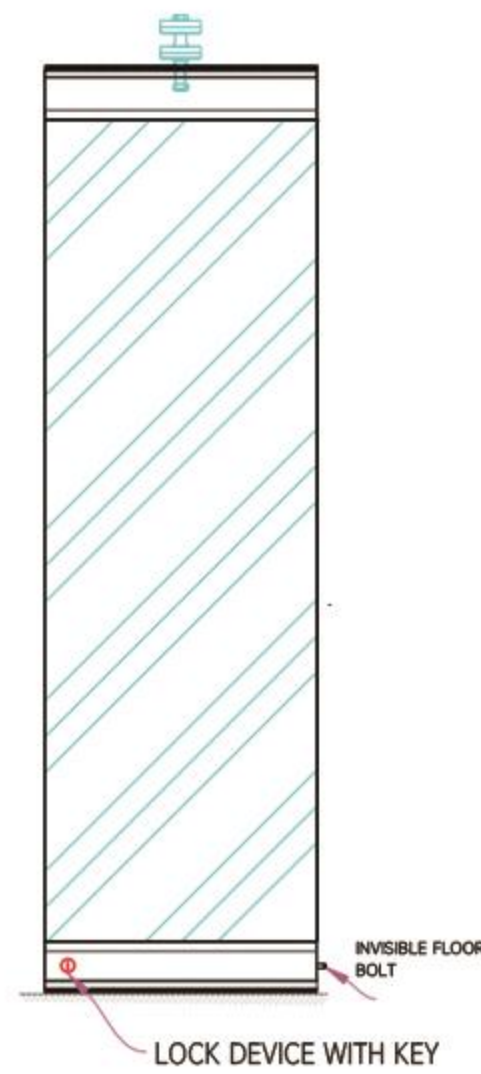
### S28 GLASS FOLDING PARTITION

Frameless glass folding doors with each panel operating independently. Suitable for residential and commercial applications, including villas, apartment balconies, hotel rooms, lounges, exhibition halls, shops, restaurants, schools, garages, churches, offices, and many other settings where aesthetic installation is paramount.



## OFFICE PARTITION SERIES

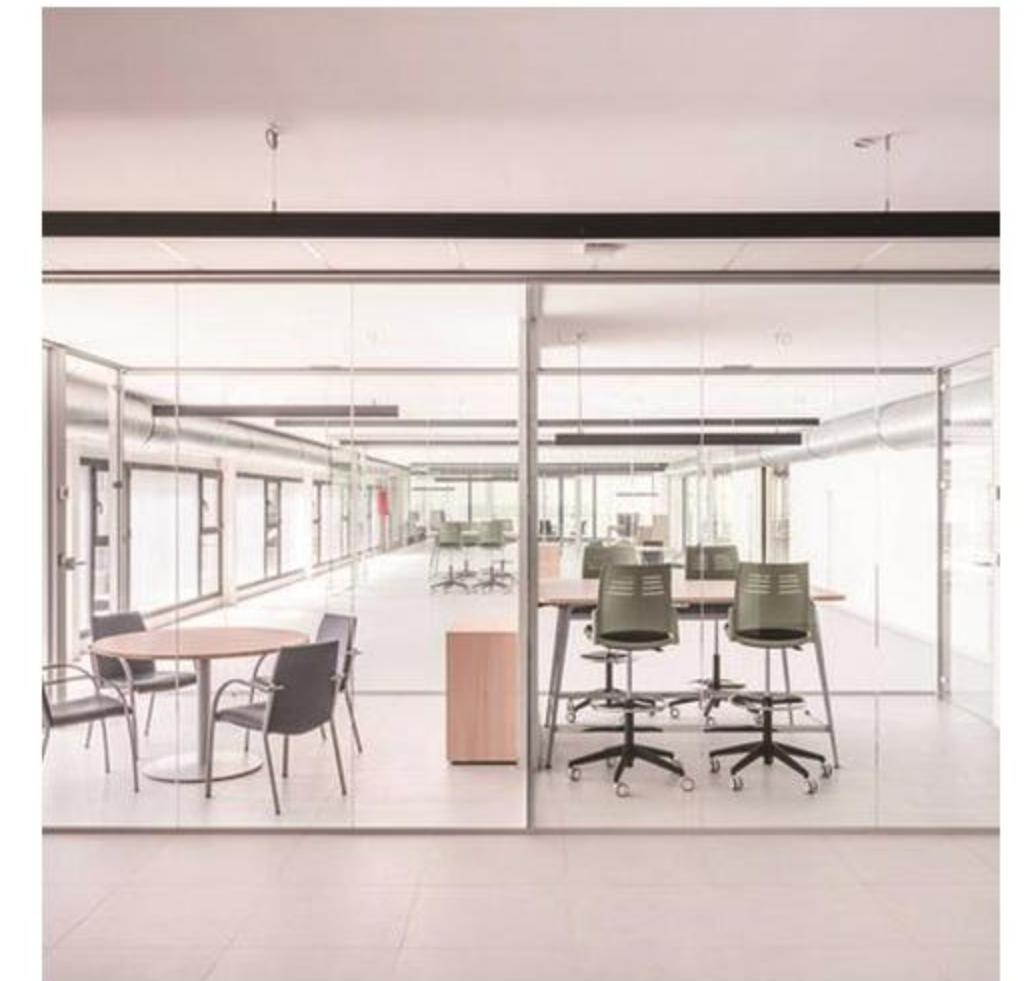
### S36 FRAMELESS GLASS PARTITION



## PRODUCT INTRODUCTION

### S36 FRAMELESS GLASS PARTITION

The low profile offers a stylish appearance with no floor track. The minimal frame provides maximum daylight and better visibility, making it easy to install and operate. The anodized aluminum frame comes in standard colors but can be customized with a transparent glass finish.





# EGOOD PARTITION PRODUCT ADVANTAGES

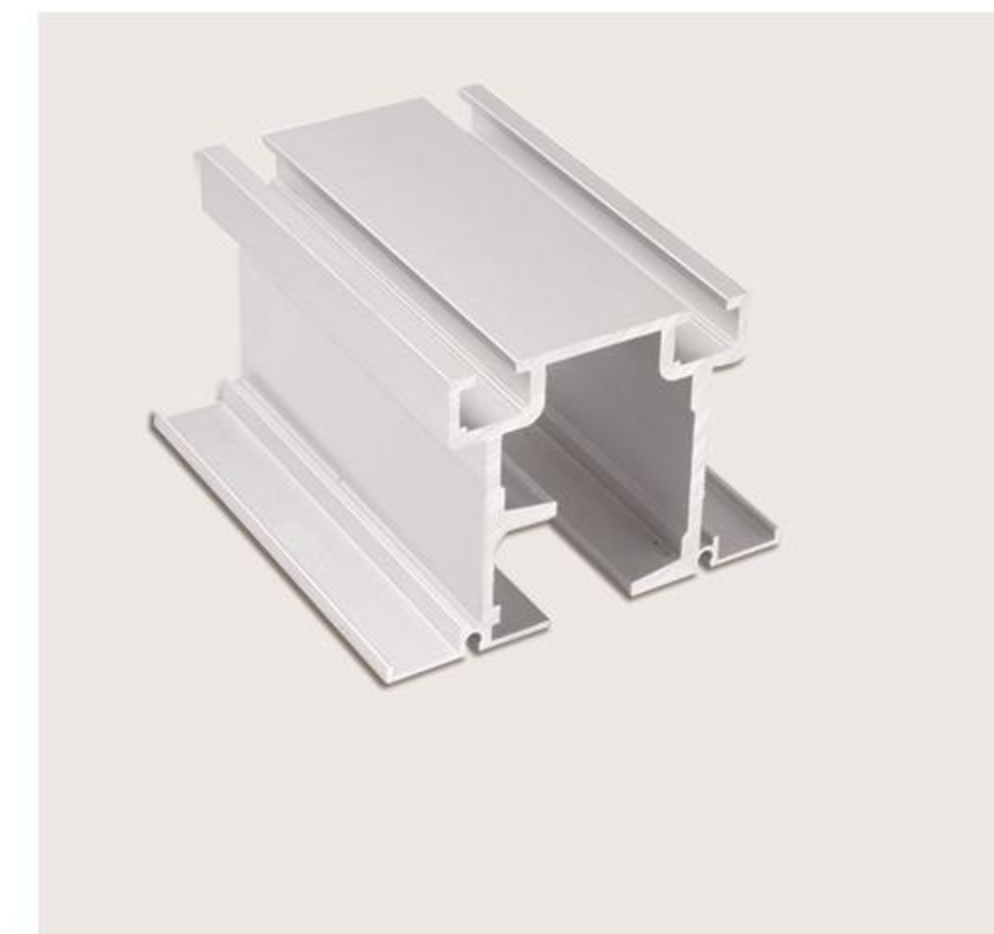
THE ADVANTAGES OF A SOLID PARTITION PRODUCT

MAJOR CORE ADVANTAGES  
GLOBAL INDUSTRY LEADER

ADVANTAGE

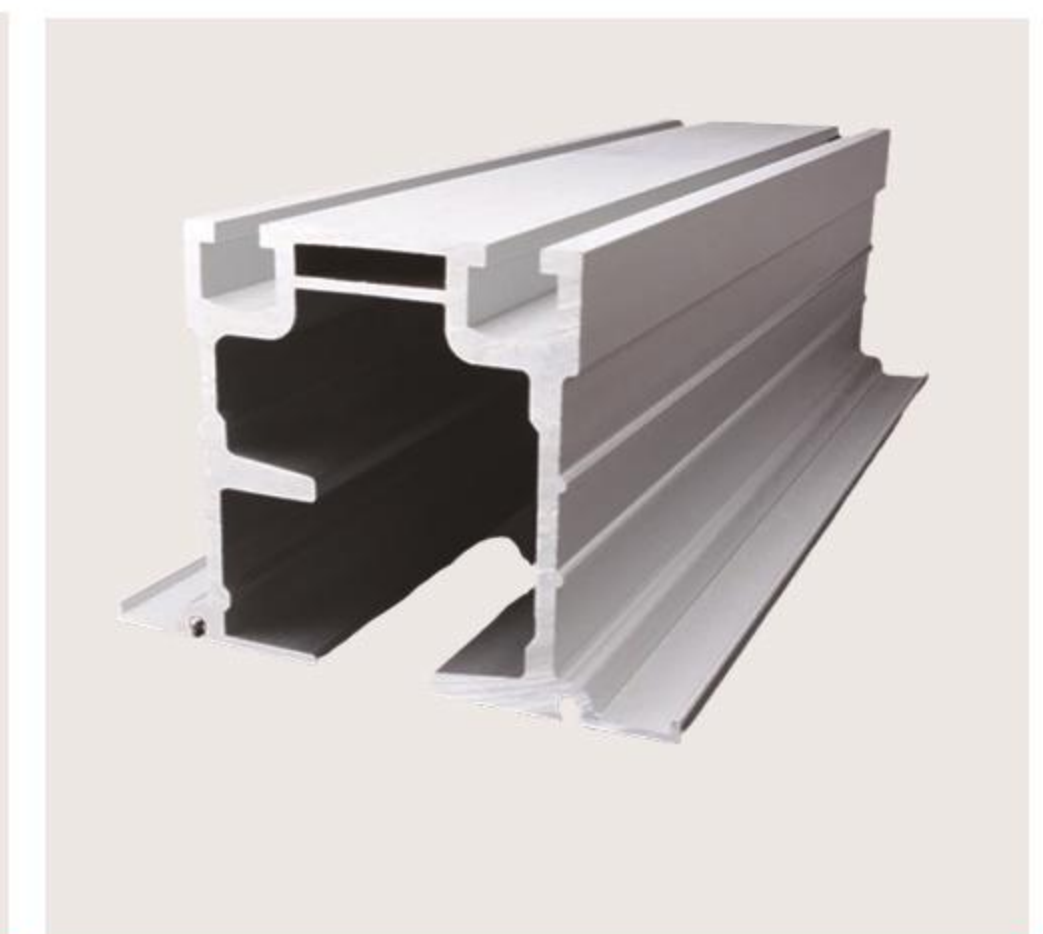


## TRACK SYSTEM



### EGOOD GERMAN-STYLE PARTITION

The track system is made from high-strength 6061-T6 aluminum alloy, with a thickness of 8mm and a load-bearing capacity of up to 1000kg/m. It can reach a height of up to 13 meters, offering excellent strength, safety, and durability. The partition will not deform or experience quality issues even after years of use.



### OTHER BRAND PARTITIONS

The track system is made from aluminum alloy extrusion, material 6063-T5, with a thickness of only 5mm. It has a smaller load-bearing capacity and lower strength, making it unsuitable for heights above 6 meters. The trolley wheels require lubrication during use, and the ceiling is prone to getting dirty.

## SUSPENSION WHEEL SYSTEM



### EGOOD GERMAN-STYLE PARTITION

The steel suspension wheel, with a load capacity of 1450kg per wheel, slides smoothly without any pauses or noise at the track interface. It requires only 3KG of lifting force on the straight track, and 8KG of lifting force in the storage area to push and pull. The 16mm diameter, 335mm long suspension wheel screw rod is directly connected to the internal steel frame structure of the partition and includes a safety lock function to prevent the partition from detaching from the suspension wheel.



### OTHER BRAND PARTITIONS

The upper and lower rubber bearing wheels cause the horizontally reversing wheels to rotate and slide on the track, leading to jerky movement and requiring frequent lubrication. The track joints may become uneven during use, which can damage the rubber wheels. A 14mm diameter, 200mm long screw rod is connected to the screen wheel seat 30mm deep, but without a safety lock. If the screws are not tightened during the installation of the screen, the screw rod is likely to loosen during the screen's push-and-pull operation.

## TURNING SYSTEM



### EGOOD GERMAN-STYLE PARTITION

The curved corner joint is equipped with an automatic turning guide device to ensure smooth turning of the wheels at the corner. Customizable corner joints at any angle can be made according to the actual project requirements, providing great flexibility.



### OTHER BRAND PARTITIONS

For a 90-degree right angle turn, manual alignment is required when the partition turns, and a large amount of force is needed for operation. The wheels and cross joints are prone to damage. Due to the limitations of the wheel mechanism, when the partition height exceeds 6 meters, it becomes difficult to push through a cross turn, and turns at special angles cannot be achieved.

EGOOD PARTITION ADVANTAGES

# INTERNAL STRUCTURE



## EGOOD GERMAN-STYLE PARTITION

The interior of the partition is made of a welded steel frame, with aluminum alloy edging on both sides. The weight of the screen is supported by the internal structure, which ensures good strength and verticality. This design ensures that the partition will not deform or have quality issues even after many years of use.



## OTHER BRAND PARTITIONS

The partition is framed with aluminum alloy on all sides, and the internal structure uses aluminum pipes, light steel keel, or wooden beams as support. The weight of the screen is borne by the surrounding aluminum alloy, making the partition relatively soft. With prolonged and frequent use, it may cause the screen to twist and deform, requiring adjustment every year.

EGOOD PARTITION ADVANTAGES

# PANEL INSTALLATION



## EGOOD GERMAN-STYLE PARTITION

A suspended system is used, which, based on the principle of sound bridges in physics, provides excellent soundproofing performance. It also facilitates panel transportation and maintenance. During maintenance, the entire panel can be disassembled and reassembled without damaging the decorative surface.



## OTHER BRAND PARTITIONS

The panel is fixed to the internal keel with screws, making it non-detachable. Maintenance is difficult, and repairing the internal structure can easily damage the decorative surface.

EGOOD PARTITION ADVANTAGES

## PANEL SPLICING



### EGOOD GERMAN-STYLE PARTITION

The panels are made of 15mm thick material, with tongue and groove joints for better soundproofing performance



### OTHER BRAND PARTITIONS

The panels are made of 12mm thick material, with direct butt joints during panel assembly, allowing sound to pass through easily, affecting the soundproofing performance.

EGOOD PARTITION ADVANTAGES

## TELESCOPIC SEAL SYSTEM



### EGOOD GERMAN-STYLE PARTITION

The system uses a continuous rocking top and bottom support system, with a large range of motion and a top support force of up to 180KG, providing excellent sealing. It also has a good height adjustment feature to accommodate uneven floor conditions at the project site. The retractable tailboard uses a linkage mechanism, reaching its position in one go, with a maximum retractable range of 450MM.



### OTHER BRAND PARTITIONS

A single 180-degree rotation results in a small retractable range, making it difficult to adjust for floor height differences on-site, with poor sealing performance. For large screens, the telescopic mechanism used for smaller screens results in very poor sealing and significant sound leakage because the aluminum alloy frame and hinges cannot achieve a complete seal.

EGOOD PARTITION ADVANTAGES

## EDGE SEALING GASKET



Sealant strip

### EGOOD GERMAN-STYLE PARTITION

The junctions between the board and the profile on both sides of the partition are equipped with soundproof sealing strips, effectively preventing sound transmission and ensuring better sealing and no noise when the door panels come into contact.



Standard rubber seal strip

### OTHER BRAND PARTITIONS

The junctions between the board and the profile on both sides of the partition do not have soundproof sealing strips, allowing sound to easily pass through the gaps in the profiles, resulting in reduced sound insulation effectiveness.

EGOOD PARTITION ADVANTAGES

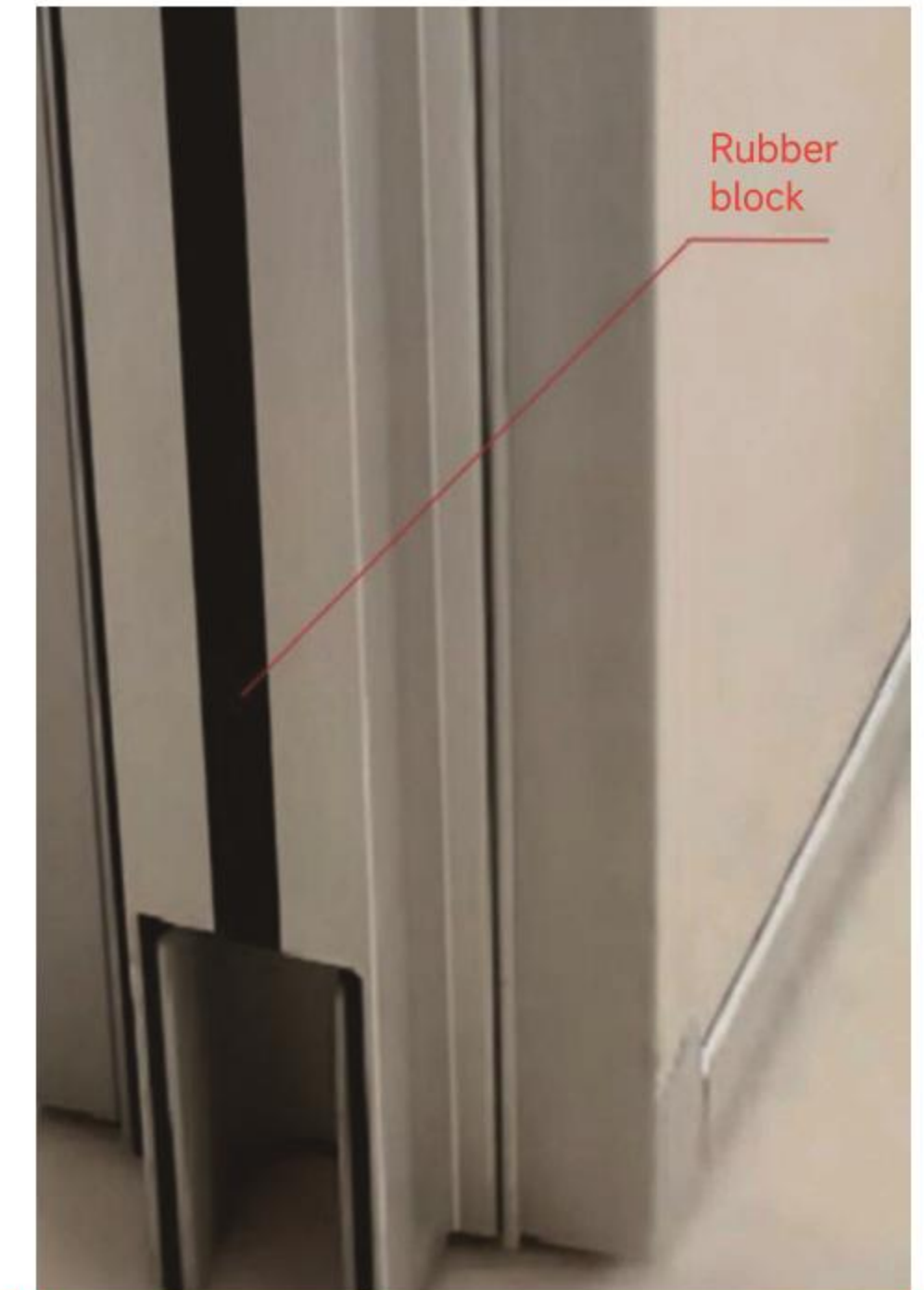
## EDGE MAGNETIC SEAL



Magnetic strip

### EGOOD GERMAN-STYLE PARTITION

The profile joints on both sides of the partition have soundproof magnetic strips with a magnetic force of 40N/M. When the door panels meet, they ensure a complete seal, providing better sound insulation.



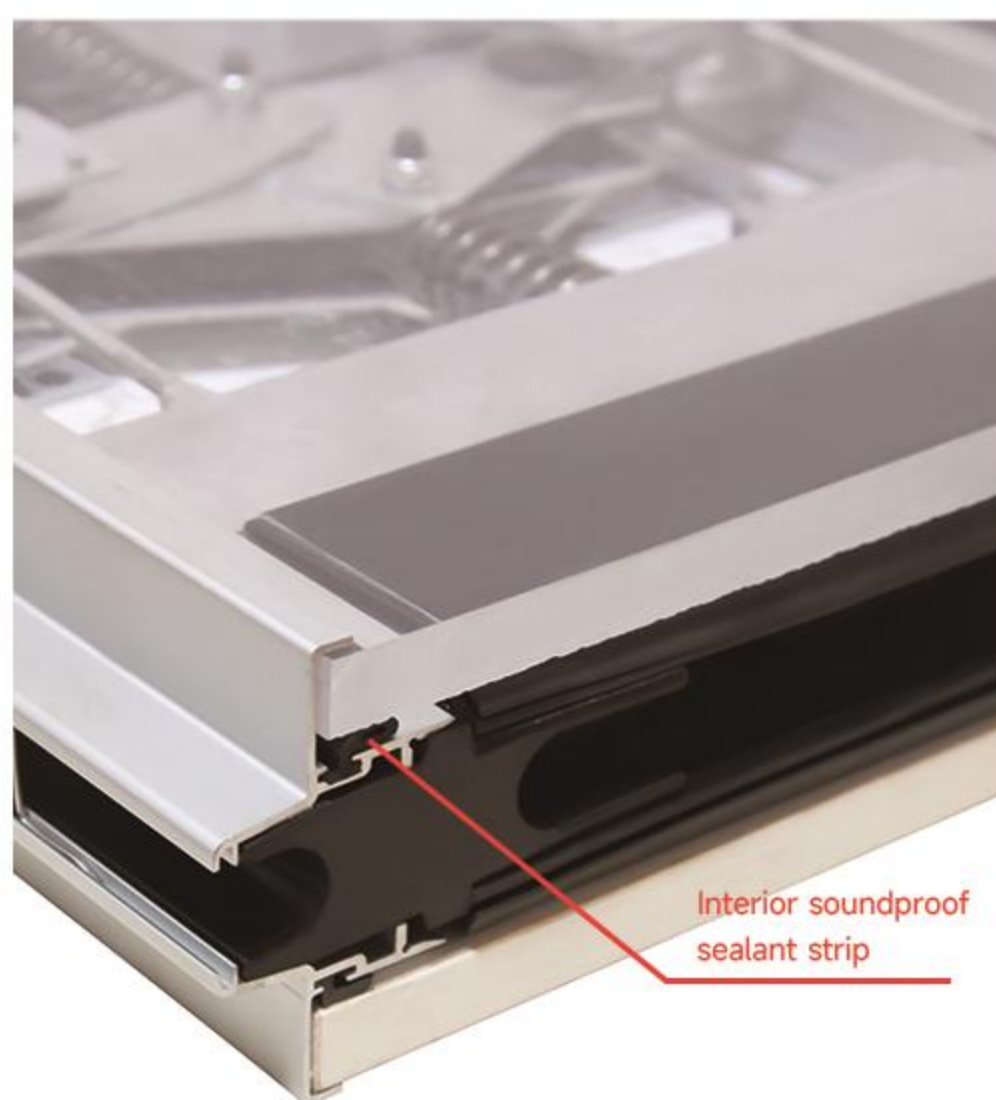
Rubber block

### OTHER BRAND PARTITIONS

The profile is equipped with rubber blocks instead of magnetic strips, which can only ensure that the profiles do not produce noise when they meet, but cannot provide effective sound insulation.

EGOOD PARTITION ADVANTAGES

## INNER SEAL



### EGOOD GERMAN-STYLE PARTITION

The junction between the partition side panels and profiles is sealed with soundproof sealing strips, effectively preventing sound transmission, ensuring better sealing when the door panels meet, and eliminating noise.



### OTHER BRAND PARTITIONS

The junction between the partition side panels and profiles does not have soundproof sealing strips, allowing sound to easily transmit through the gaps between the profiles, resulting in reduced sound insulation effectiveness.

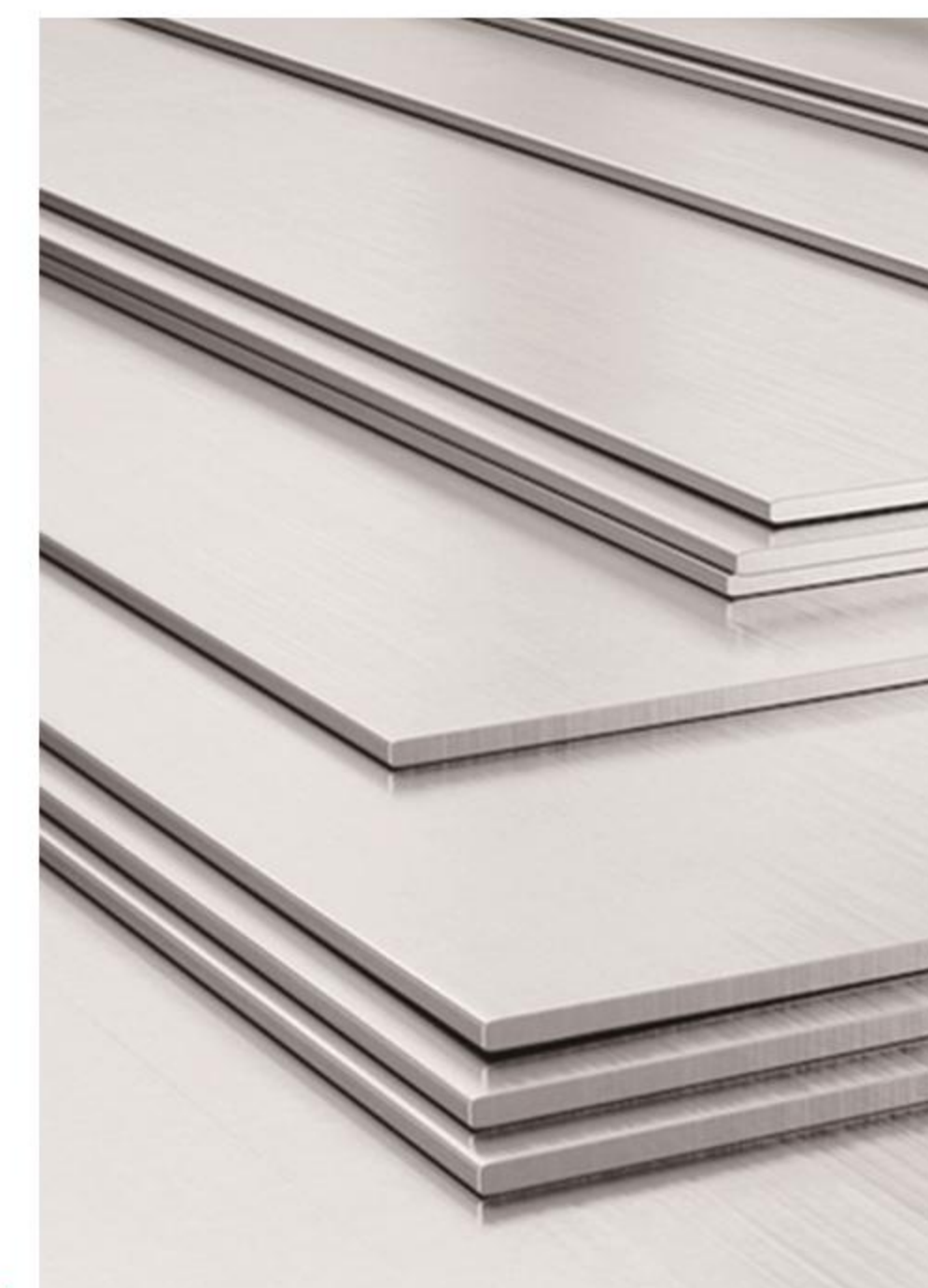
EGOOD PARTITION ADVANTAGES

## TELESCOPIC SEALING SYSTEM



### EGOOD GERMAN-STYLE PARTITION

In addition to the gypsum board + steel plate, a dedicated soundproof mat (SOUNDMAT) is added to the interior of the panel. It not only provides excellent sound insulation but also keeps the panel lightweight. The mat is made from a new type of acoustic, fireproof, and environmentally friendly resin material, with a thickness of 3mm and weighs approximately 5KG per square meter.



### OTHER BRAND PARTITIONS

The conventional method has good fire resistance performance, using steel plates. When sound encounters the rigid panel, it tends to bounce back, only achieving sound isolation but not sound absorption.

# EGOOD PROJECT CASE STUDY

MY SPACE, MY RULES



## PROJECT EXAMPLES

### PURO DÃO HOTEL & SPA

Height: 2500mm 86 square meters  
Construction Time: 2023



## PROJECT EXAMPLES

### SRI LANKA RESORT HOTEL

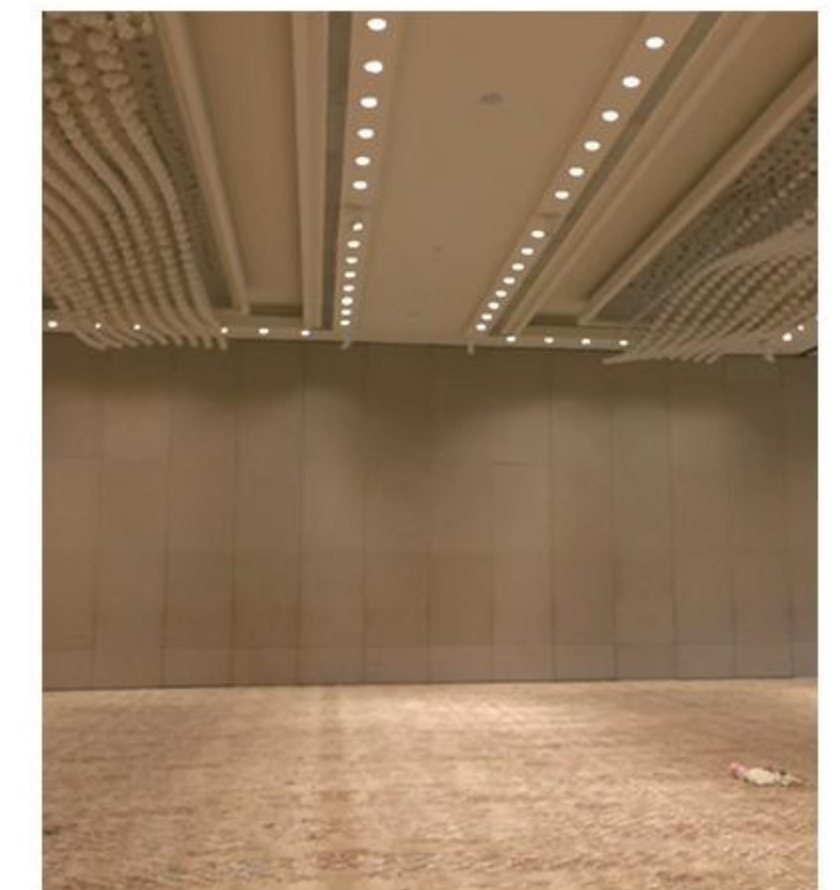
The movable partition height is 6.5 meters, and the area is 4268 square meters  
Construction time: 2020.



## PROJECT EXAMPLES

### SRI LANKA

The height of the movable partition is 6.13 meters, and the area is 760 square meters  
Construction Time: 2024



## PROJECT EXAMPLES

### MALAYSIA INTERNATIONAL EXHIBITION CENTRE

Height of the movable partition: 9 meters Area: 1860 square meters

Construction Time: 2014



## PROJECT EXAMPLES

### AMAN OMAN ROYAL PALACE

Height: 5500mm 600 square meters

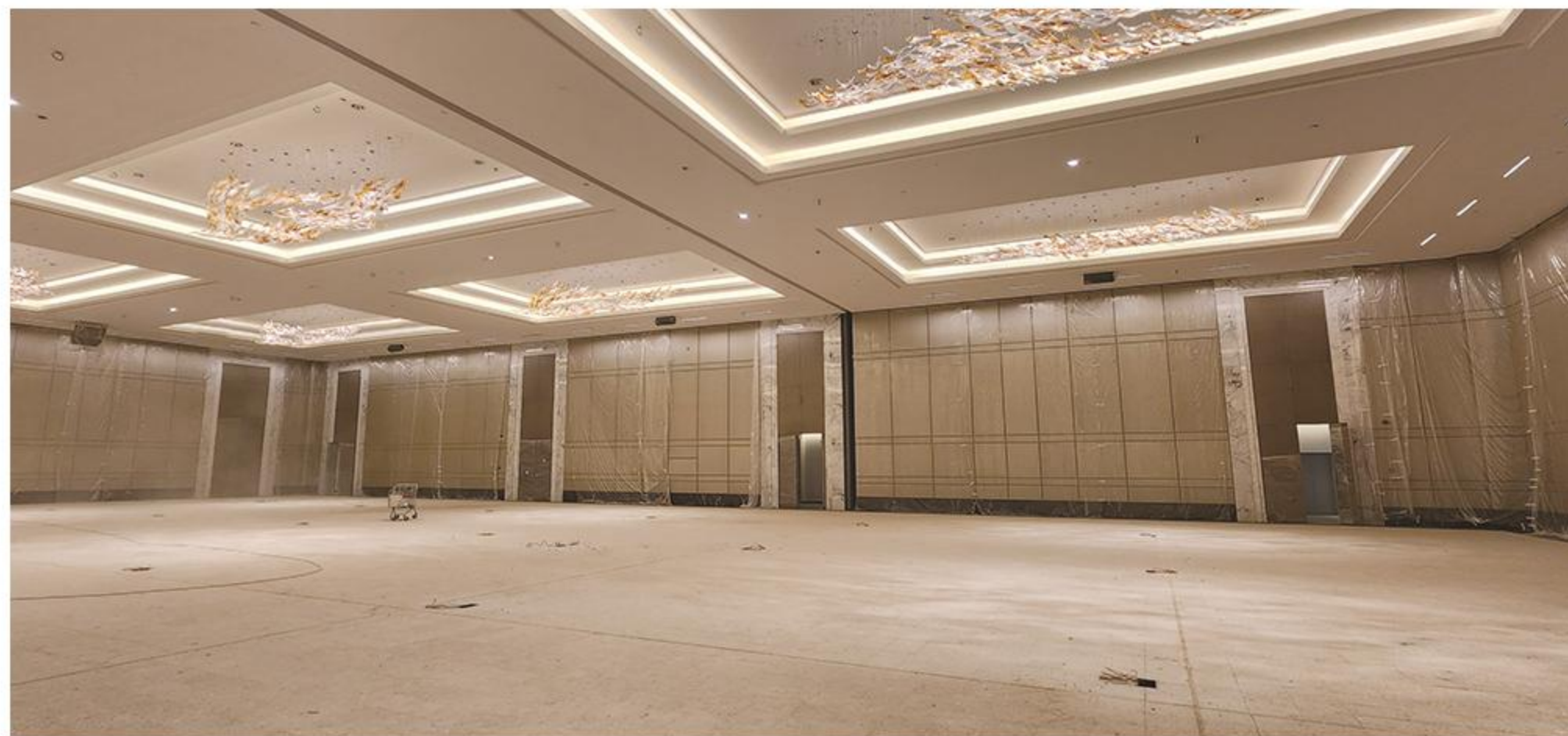
Construction Time: 2017



## PROJECT EXAMPLES

### SAUDI ARABIA

The height of the movable partition is 7.5 meters, with an area of 1000 square meters  
Construction time: 2024.



## PROJECT EXAMPLES

### THE PHILIPPINES

The movable partition height is 3 meters, and the area is 800 square meters  
The construction time was in 2019.



## PROJECT EXAMPLES

### THE VERSAILLES HOTEL IN CANADA.

The height of the movable partition is 7.5 meters, with an area of 768 square meters  
Construction time: October 2018.



## PROJECT EXAMPLES

### SAUDI ARABIA

Movable partition height: 8 meters, area: 1,300 square meters  
Construction time: October 2017



## PROJECT EXAMPLES

### SHERATON HOTEL, USA

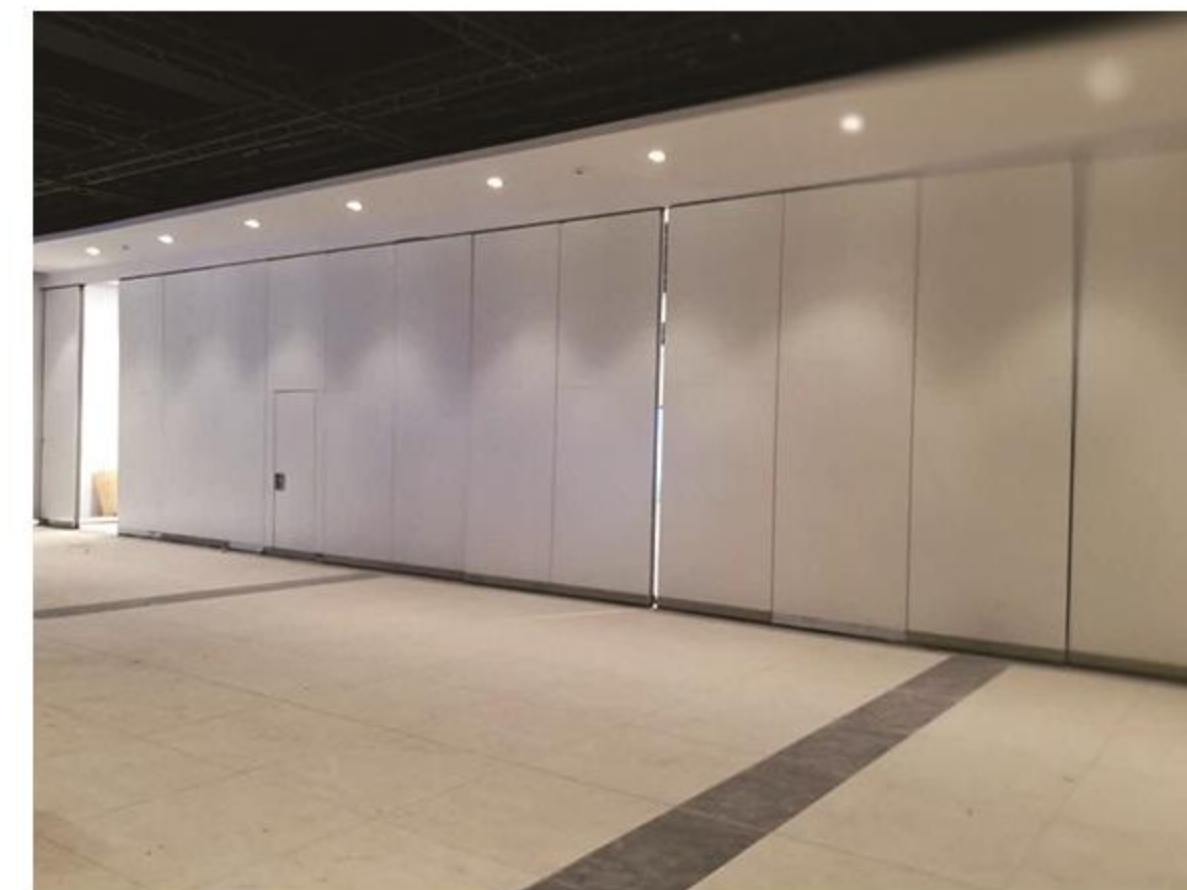
Movable Partition Height: 3.66 meters, Area: 122 square meters  
Construction Date: 2018



## PROJECT EXAMPLES

### CONGO, AFRICA

Movable partition height: 3 meters, area: 198 square meters.  
Construction time: 2016



## PROJECT EXAMPLES

### CHINA SHAANXI YIXINGU "XINYUAN GRAND HOTEL

Movable partition height: 7 meters, area: 186 square meters.  
Construction time: 2015.



## PROJECT EXAMPLES

### CHINA YINCHUAN NATIONAL CONVENTION AND EXHIBITION CENTER

The movable partition height is 12 meters, with an area of 1600 square meters.  
Completion time: February 2014

